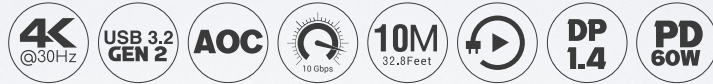


CA-VDCC10

USB-C® 3.2 Gen2 Male to Male Fiber Active Optical Cable (10m)
with 4K Video, 10Gbps Data & 60W PD Support



CADYCE CA-VDCC10 is a 10-meter USB-C® fiber optic cable offering 10Gbps data transfer, 60W PD, and 4K@30Hz support, with Kevlar protection ensuring superior durability and resistance to RFI/EMI.



Features:

4K
@30Hz

DisplayPort™ 1.4 Alt Mode support up to 4K@30Hz.

USB 3.2 GEN 2

USB Version - 3.2 Gen2.

10 Gbps

Fast Data Transfer Rate up to 10Gbps.

PD 60W

Power Delivery (PD) Support up to 20V@3A = 60W.

AOC

Hybrid fiber/copper design with Kevlar protected fiber.

A B

Supports Mirror and Extend Mode.

RFI/EMI

Highly resistant to RFI/EMI for interference-free performance.

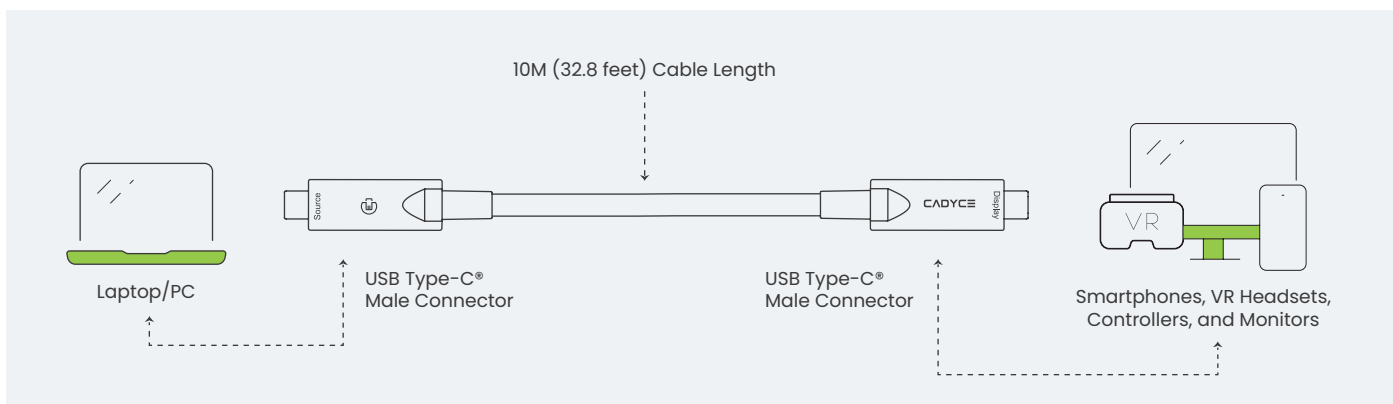
OS

Supports Windows, Mac OS, Android, iOS.

Specifications

Items	Descriptions
USB Version	USB 3.2 Gen2
Max Data Transfer Speed	10Gbps
Video Support	DP 1.4, 4K@30Hz
Power Delivery (PD)	60W (20V @ 3A)
Cable Type	Active Optical Fiber with Kevlar Protection
Length	10M (32.8 feet)
Interference Protection	High Resistance to RFI/EMI
Operating Systems Supported	Windows, macOS, Android, iOS

CA-VDCC10 delivers 10m high-speed USB-C® connectivity with 4K video, power delivery, and hybrid fiber-copper EMI-resistant build.



Other Products:

CA-UC10G, CA-U4C2C

Includes:

CA-VDCC10.

EAN Code: CA-VDCC10 - 0734038551332

Certifications:



Package Dimensions (L X W X H):

Box: L 234mm X W 225.5mm X H 39mm | L 9.2 in X W 8.9 in X H 1.5 in



www.cadyce.com

Cadyce is a registered trademark. All other trademarks belong to their respective proprietors. Copyright ©, All rights reserved.